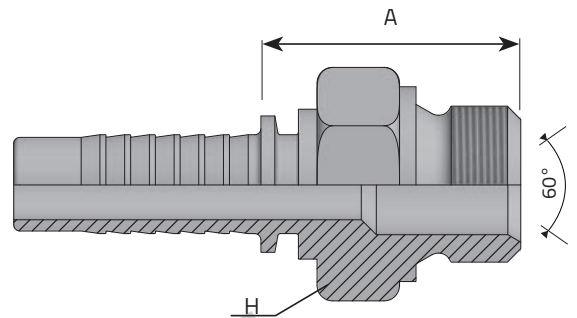




## BSPP MALE - 60° CONE (1)

MASCHIO BSPP SV 60°  
 MÂLE BSPP CÔNE 60°  
 AGR 60° INNENKONUS (BSPP GEWINDE)  
 MACHO FIJO BSPP CONO 60°



Code	Tube		Thread		Dimensions			Pressure	
	D.N.	Hose	Diam	T	H	A	Bar	Psi	
	Inch		mm	Inch	mm	mm			
MG0302	-3	3/16"	4.8	1/8"	28	14	20.5	350	5076
<b>MG0304</b>	-3	<b>3/16"</b>	<b>4.8</b>	<b>1/4"</b>	<b>19</b>	<b>19</b>	<b>26</b>	<b>415</b>	<b>6019</b>
MG0402	-4	1/4"	6.4	1/8"	28	14	20.5	350	5076
<b>MG0404</b>	-4	<b>1/4"</b>	<b>6.4</b>	<b>1/4"</b>	<b>19</b>	<b>19</b>	<b>27</b>	<b>450</b>	<b>6526</b>
MG0406	-4	1/4"	6.4	3/8"	19	22	29	450	6526
<b>MG0408</b>	-4	<b>1/4"</b>	<b>6.4</b>	<b>1/2"</b>	<b>14</b>	<b>27</b>	<b>32</b>	<b>450</b>	<b>6526</b>
MG0504	-5	5/16"	7.9	1/4"	19	19	27	350	5076
<b>MG0506</b>	-5	<b>5/16"</b>	<b>7.9</b>	<b>3/8"</b>	<b>19</b>	<b>22</b>	<b>29</b>	<b>350</b>	<b>5076</b>
MG0508	-5	5/16"	7.9	1/2"	14	27	32	350	5076
<b>MG0604</b>	-6	<b>3/8"</b>	<b>9.5</b>	<b>1/4"</b>	<b>19</b>	<b>19</b>	<b>27</b>	<b>450</b>	<b>6526</b>
MG0606	-6	3/8"	9.5	3/8"	19	22	29	450	6526
<b>MG0608</b>	-6	<b>3/8"</b>	<b>9.5</b>	<b>1/2"</b>	<b>14</b>	<b>27</b>	<b>32</b>	<b>450</b>	<b>6526</b>
MG0806	-8	1/2"	12.8	3/8"	19	22	29	415	6019
<b>MG0808</b>	-8	<b>1/2"</b>	<b>12.8</b>	<b>1/2"</b>	<b>14</b>	<b>27</b>	<b>33</b>	<b>415</b>	<b>6019</b>
MG0810	-8	1/2"	12.8	5/8"	14	30	34.5	415	6019
<b>MG0812</b>	-8	<b>1/2"</b>	<b>12.8</b>	<b>3/4"</b>	<b>14</b>	<b>32</b>	<b>36</b>	<b>415</b>	<b>6019</b>
MG1008	-10	5/8"	16	1/2"	14	27	33	350	5076
<b>MG1010</b>	-10	<b>5/8"</b>	<b>16</b>	<b>5/8"</b>	<b>14</b>	<b>30</b>	<b>34.5</b>	<b>350</b>	<b>5076</b>